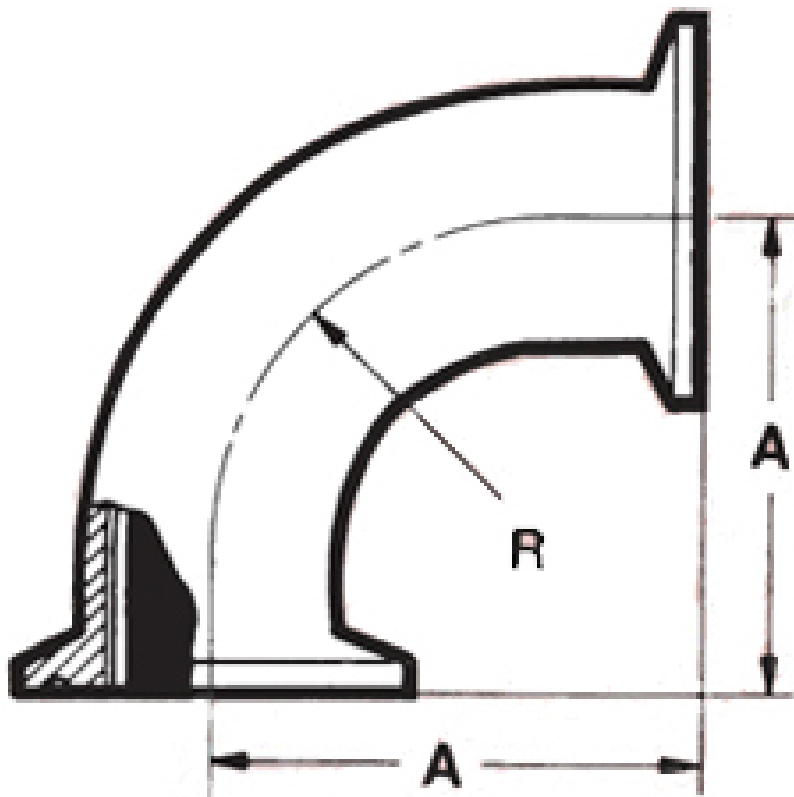


# ELBOWS

## A2CMP- HYGIENIC CLAMP JOINT 90 DEG ELBOW

SIZE	A	R	SF3/PT/32 ra ID
1	2	1 1/2	A2CMP-1-PT-316L
1.5	2 3/4	2 1/4	A2CMP-1.5-PT-316L
2	3 1/2	3	A2CMP-2-PT-316L
2.5	4 1/4	3 1/4	A2CMP-2.5-PT-316L
3	5	4 1/2	A2CMP-3-PT-316L
4	6 5/8	6	A2CMP-4-PT-316L



\*\*\*\* ADDITIONAL SIZES AND FINISHES AVAILABLE IN THE BPE/BIOPHARM FITTINGS SECTION