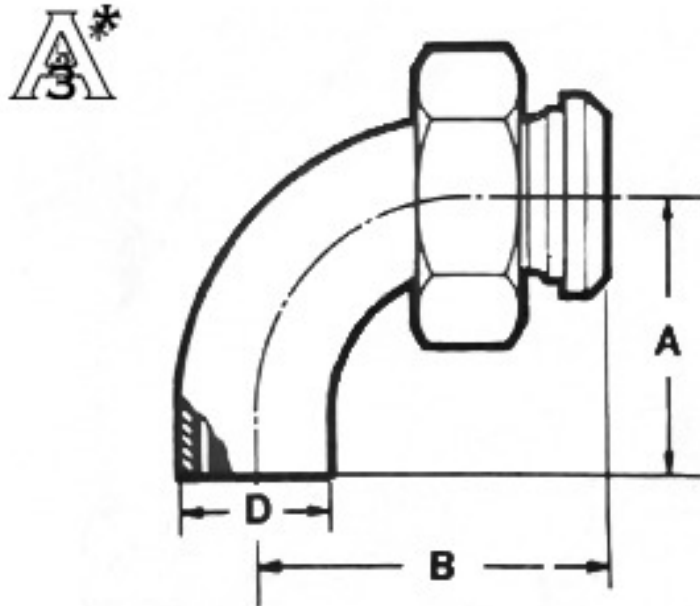


# ELBOWS

## A2F 90° ELL

SIZE TUBE O.D.	A	B	D	NOM. WALL	SF3/PT/32 ra ID
1 1/2	2 11/32	1 5/8	1 1/2	0.065	A2F-1.5-PT-316L
2	3 1/32	2 5/16	2	0.065	A2F-2-PT-316L
2 1/2	3 27/32	3	2 1/2	0.065	A2F-2.5-PT-316L
3	4 19/32	3 11/16	3	0.065	A2F-3-PT-316L
4	6 1/32	4 13/16	4	0.083	A2F-4-PT-316L



\*\*\*\* ADDITIONAL SIZES AND FINISHES AVAILABLE IN THE BPE/BIOPHARM FITTINGS SECTION